

# THE BOBBY™ SERIES

## BOBBY™ -PAR38-WHT LED Lamps with the patented Fin-Core™ aluminum housing

- LEDs: Multiple High Brightness LEDs
- CCT: Warm White (3000-3300k); Daylight White (5500-6000k)
- Beam Angle: 130°

### BOBBY™ SERIES

#### Features

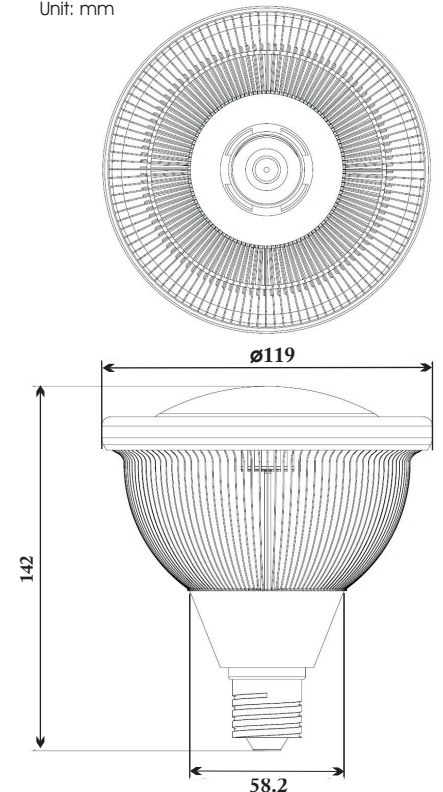
- High power LED retrofit lamps
- High luminous intensity output
- Min. 70% lumen maintenance after 35,000 hrs
- Higher energy efficiency than incandescent and halogen lamps
- Cool beam (no UV or thermal radiation)



BOBBY™ -PAR38-WHT

### Dimensions

Unit: mm



### ELECTRONIC SPECIFICATIONS

PARAMETERS	BOBBY-PAR38-WHT
<b>ELECTRICAL:</b>	
Input Voltage	90 ~ 264Vac
LEDs	12W (84 LEDs)
Power Consumption	< 12W
Housing	aluminum Fin-Core™
Base	E27
<b>OPTICAL:</b>	
Lumen Output	WW: 450 / WD: 540
Operating Life	> 35,000 hrs.
Beam Angle (with lens)	130°
<b>ENVIRONMENT:</b>	
Operation Temperature	-20 ~ 50°C
Storage Temperature	-40 ~ 60°C
Operation Humidity	10 ~ 90%



Factory lobby with BOBBY-MR16-WHT track lighting and BOBBY-PAR30-WHT downlights.

NOTE: Do not use in outdoor or wet/humid areas or in totally enclosed fixtures.



#### Taiwan Operations:

##### Color Stars, Inc.

10F, No. 566 Jung Jeng Rd. Sindian City  
Taipei County 231, Taiwan, R.O.C.

Tel: +886-2-8667-6600 Fax: +886-2-8667-1400

Email: sales@colorstars.com Website: www.colorstars.com

#### Headquarters:

##### ColorStars Group

300 Center Ave., Suite 202  
Bay City, MI 48708 USA

Tel: 989-509-5924 Fax: 989-509-5924

Email: sales@colorstars.com Website: www.colorstars.com